

Have a Question or Need Assistance?

Here is where you can look for help:

Knowledge base: support.ooma.com/home/home-security

Community Forum: forums.ooma.com

Live Customer Care. Speak with a support specialist at 1-877-629-1284.

Ooma®

This device complies with all of the following smoke alarm standards:

UL 217 - "Single and Multi Station Smoke Alarms"
CAN-ULC-S531-02 - "Standard for Smoke Alarms"

P/N: 700-0177-202

Ooma® Smart Security

Smoke Alarm

Quick Start Guide



English



Contents

What to Do in Case of Fire	4
Key Features	5
Power On Your Smoke Alarm	7
Test Your Smoke Alarm	8
Mount Your Smoke Alarm	9
Nuisance Alarms	12
Cleaning Your Smoke Alarm	13
Alarm and Status Light Indicator Reference	14
Deactivating and Replacing Your Smoke Alarm	16
Warnings and Limitations	19
Where Not to Install Your Smoke Alarm	22
NFPA Requirements.....	23

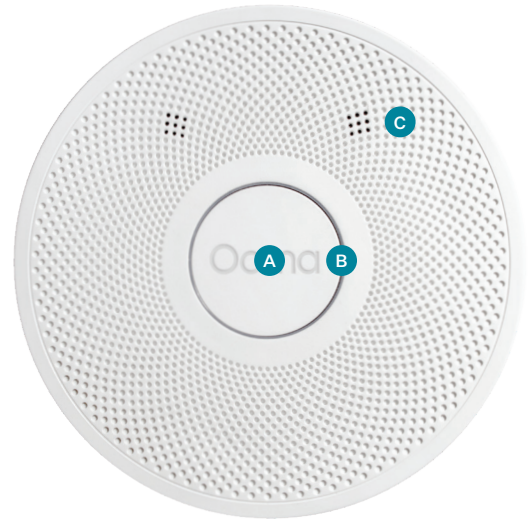
What to Do in Case of Fire

- **Have a family escape plan.** Know the exit routes out of your home. Have a designated meeting place outside of your home.
- **Do not panic.** Stay calm.
- **Get everyone to exit the building as quickly as possible.** Do not stop to collect anything.
- **Feel doors with the back of your hand before opening them.** If a door is cool, open it slowly. **Do not open a hot door.**
- **Keep doors and windows closed** unless you must escape through them.
- Cover your nose and mouth with a damp cloth. Take short, shallow breaths.
- **Meet at at your designated meeting place** and do a head count.
- **Call the fire department as soon as possible** from outside the building. Give your address followed by your name.
- **Never go back inside a burning building for any reason.**

Key Features

Your Ooma Smoke Alarm functions as a complete standalone smoke alarm once powered on. The Ooma Smoke Alarm is intended for use in single-family residences only.

- A Test/Hush Button**
- B Status indicator light ring**
- C Speaker ports**



A pack of two lithium-ion batteries, permanently sealed inside the alarm, powers this unit. No battery installation or replacement is necessary for the life of the alarm.

- D** Pairing button
- E** Tamper button
- F** Deactivation hole



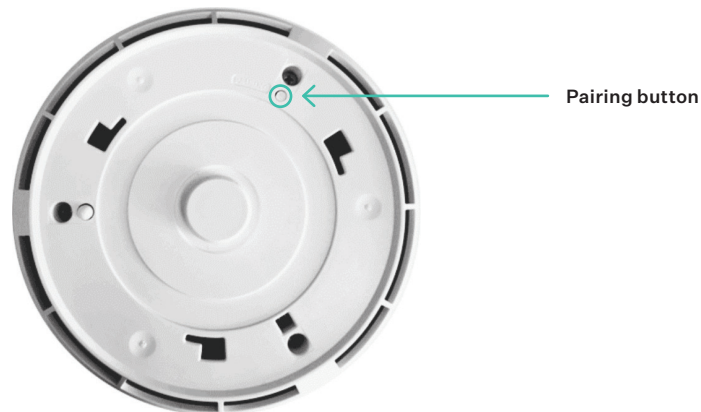
WARNING: DO NOT ATTEMPT TO OPEN THE ALARM FOR ANY REASON

STEP 1

Power On Your Smoke Alarm

Remove the mounting plate from your Ooma Smoke Alarm by twisting it counterclockwise.

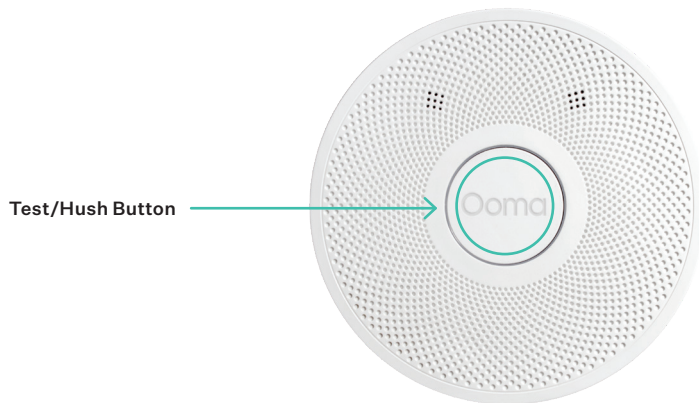
Use something narrow like a pencil to quickly press the **Pairing button**, labeled **PAIRING**. Your smoke alarm will power on and sound three loud beeps. The status indicator light ring will blink red while the device initializes. When it stops blinking, your smoke alarm is ready to detect smoke. This feature is intended for one time use only.



STEP 2

Test Your Smoke Alarm

Press and hold the test button for one second. It will blink **red** and sound three loud beeps to indicate that it is functioning correctly. If it does not, please contact our customer support team. The National Fire Protection Association (NFPA) recommends that you perform this test on all smoke alarms at least once a week. Never use an actual flame to test your alarm.



STEP 3

Mount Your Smoke Alarm

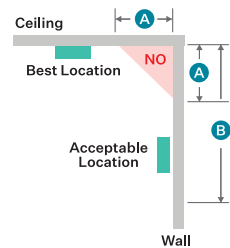
The NFPA recommends installing a smoke alarm in the following areas:

- On every floor, including finished attics and basements.
- Inside and outside every sleeping area.
- At the top of the first-to-second floor stairway and on the basement ceiling near the entry of the stairs.
- In homes with more than 1,000 square feet on one level, additional alarms may be required.



Placement on the ceiling or wall

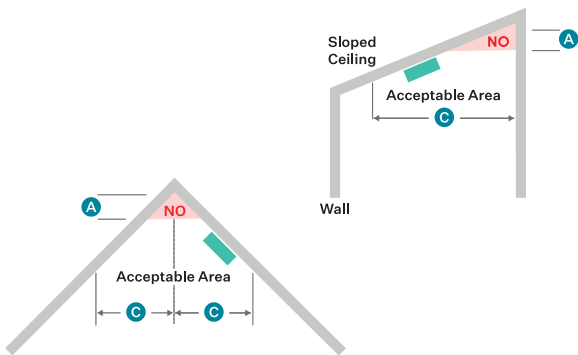
It is recommended that you install your Ooma Smoke Alarm on the ceiling. Make sure it is at least 4 inches away from the wall.



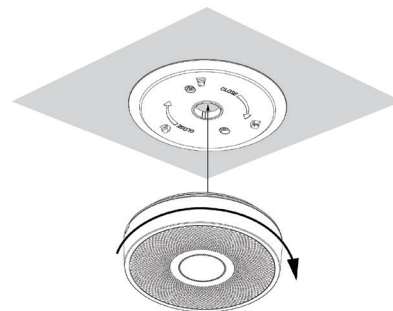
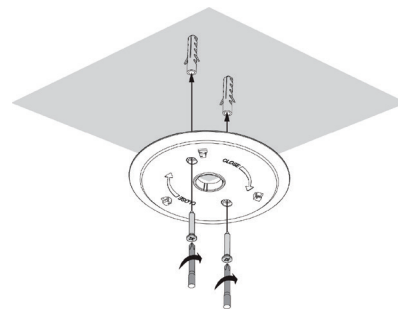
- 4 Inches **A**
10 cm
- 12 Inches **B**
30 cm
- 36 Inches **C**
92 cm

Placement on a sloped ceiling

If you have a sloped, peaked or cathedral ceiling, your Ooma Smoke Alarm should be 4 inches to 3 feet from the highest point.



Screw the mounting plate to the ceiling or wall using the included screws and drywall anchors.



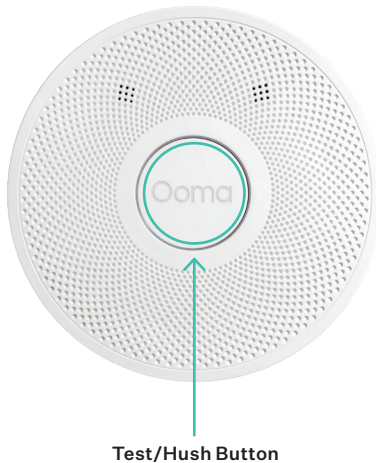
Then, hold your Ooma Smoke Alarm against the mounting plate and turn it clockwise to secure it.

Nuisance Alarms

Nuisance alarms can be caused by things like fumes from cooking or exhaust from a motor vehicle.

To stop a nuisance alarm, press the Hush button, which is also the Test button, on your Ooma Smoke Alarm. This will hush the alarm for up to five minutes. Remove the source of the nuisance alarm and clear the air surrounding the smoke alarm.

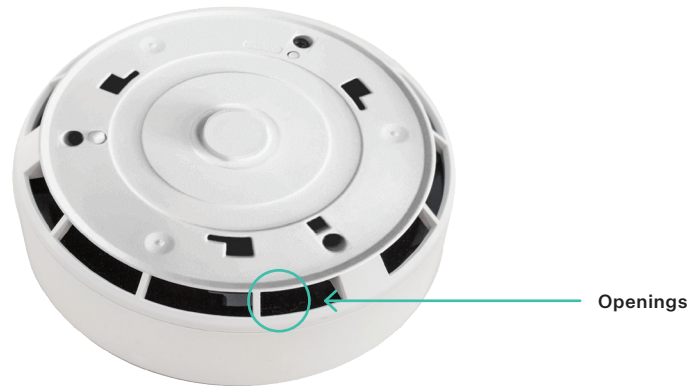
Never try to avoid false alarms by disabling the device. If the nuisance alarm persists, clean your Ooma Smoke Alarm as described in this quick start guide.



Test/Hush Button

Cleaning Your Smoke Alarm

To ensure that your Ooma Smoke Alarm functions properly, we recommend that you clean it at least once a year. To do this, remove it from the mounting plate by turning it counterclockwise. Use a soft brush to remove any dust from the openings around the device. Never use water, cleaners, or solvents to clean your Ooma Smoke Alarm.



Openings

Alarm and Status Light Indicator Reference

Initial Setup and Pairing

What You Hear	What You See	What It Means	What To Do
Three beeps	Red flashes (approximately 20 seconds)	Smoke alarm initializing	Wait for initialization to complete
None	Green flashes	Pairing mode	Follow in-app instructions
None	Long Green pulse for 3 seconds	Pairing successful	Complete in-app pairing process
None	Red flashes for 10 seconds	Pairing failed	Try pairing again

Alarm Conditions

What You Hear	What You See	What It Means	What To Do
Three beeps, pause, repeating continuously	Red flashes	Smoke detected	Evacuate immediately. If nuisance alarm, resolve it
None	Red flashes	Alarm hushed	Resolve nuisance alarm source

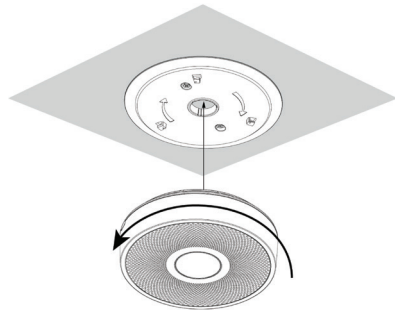
Testing and Maintenance

What You Hear	What You See	What It Means	What To Do
One chirp (20ms) every minute	One red flash every minute	Low battery/ End of life	Replace your smoke alarm immediately
Three beeps	One red flash	Test succeeded	No action needed
One beep	One red flash	Test failed	Contact Ooma support
One beep (200ms) every minute	One red flash every minute	Trouble signal	Contact Ooma support

Deactivating and Replacing Your Smoke Alarm

This smoke alarm has an expected life of 10 years. When it needs to be replaced, this alarm has a low battery monitor which will cause the device to “chirp” every minute for a minimum of thirty (30) days. When this happens, you should immediately purchase and install another Ooma Smoke Alarm to ensure that your home remains protected.

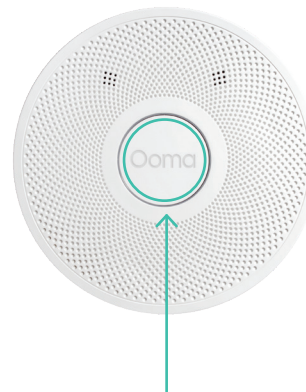
To permanently deactivate the device, follow these instructions:



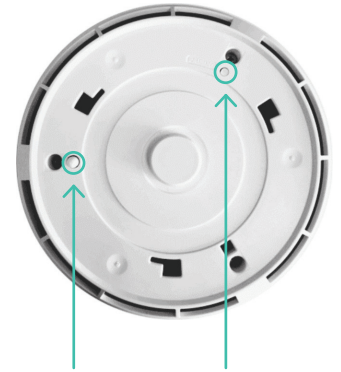
First, rotate the device counterclockwise and remove it from the mounting bracket.

WARNING: ONCE THE DEVICE HAS BEEN DEACTIVATED, IT CANNOT BE RE-MOUNTED ONTO THE MOUNTING BRACKET.

Press the **PAIRING** button, **TEST** button and **TAMPER** button simultaneously to deactivate it. The unit will no longer function once put into this mode.



Test/Hush Button

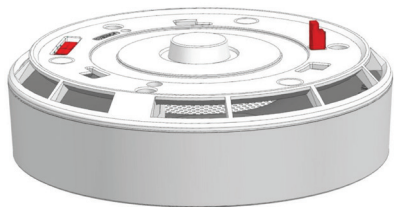


Tamper button

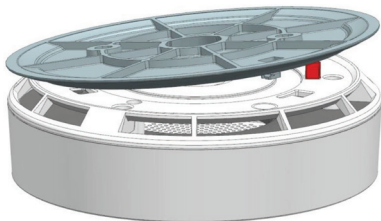
Pairing button

Use a tool, such as a screwdriver, to take out the **red** pin from its insert and push it into the square hole. When fixed, the **red** part will prevent the device from being re-mounted onto the mounting bracket.

1 Take out the **pin**



2 Fix the **pin**



Warnings and Limitations

Smoke alarms only work if they are properly installed, maintained, and if smoke reaches the alarm. The following warnings and indications will help avoid false alarms or trouble signals:

- This smoke alarm will not work if it has not been powered on. To power it on, follow the setup instructions in this quick start guide.
- This smoke alarm uses photoelectric detection technology to detect smoke in a residential environment. Photoelectric detection is generally more sensitive than ionization technology at detecting large particles, which tend to be produced by slow-smoldering fires. Sources of large particles include cigarettes burning in couches or bedding.
- It is also recommended to purchase and install ionization smoke alarms, which are more sensitive to small particles from fast-flaming fires. Sources of small particles include paper burning or grease fires in the kitchen.
- **NOTICE:** The National Fire Protection Association standard requires that smoke alarm batteries last at least 10 years and be non-replaceable and non-removable. Our batteries are certified by the relevant authorities to meet these requirements on a stand-alone basis. However, if you pair an Ooma smoke alarm with an Ooma Telo Base Station, the battery life may not last 10 years. To maximize optimum battery life, you must make sure the Smoke Alarm has a good and uninterrupted connection to the Ooma

Telo base station. It is your responsibility to keep the equipment in good working order as stated elsewhere herein.

- Smoke alarms are not foolproof and cannot prevent or extinguish fires.
- This smoke alarm may not be heard if the occupants are impaired or if the alarm is drowned out by surrounding noise. Special smoke alarms should be installed for residents who are hearing impaired.
- This smoke alarm will not work if its surroundings prevent smoke particles from reaching the detector.
- **Do not** stand close to the smoke alarm when it is sounding. Prolonged exposure to the alarm may cause hearing damage.
- **Do not** paint over your smoke alarm as this may prevent smoke particles from reaching the detector.
- The smoke alarm may not be effective for fires where the victim is in close contact with a flame; for example, when a person's clothes catch fire while cooking.

- The smoke alarm may not be effective for fires where the smoke is prevented from reaching the smoke alarm due to a closed door or other obstruction.
- The smoke alarm may not be effective for incendiary fires where the fire grows so rapidly that an occupant's egress is blocked even with properly located smoke alarms.
- This smoke alarm should not be installed in locations where the normal ambient temperature is below 40°F (4.4°C) or exceeds 100°F (37.8°C), unless the alarm has been determined to be capable of being used at installation points with higher or lower ambient temperatures.
- Studies have shown smoke alarms may not awaken all sleeping individuals. It is the responsibility of individuals in the household that are capable of assisting others to aid those who may not be awakened by the alarm sound, or to those who may be incapable of safely evacuating the area unassisted.
- This smoke alarm will emit a "trouble" alarm if a critical component has failed.

Where Not to Install Your Smoke Alarm

- **Do not** install smoke alarms in areas where combustion particles are produced, such as kitchens or garages. Installing in these areas will cause unnecessary nuisance alarms. Keep a smoke alarm at least 20 feet from the source of combustion particles if possible.
- **Do not** install smoke alarms in the path of air vents. Installing in these area will reduce the effectiveness of your alarm.
- **Do not** install smoke alarms in damp or very humid areas, such as bathrooms or showers. Moisture in humid air can enter the sensing chamber, which can cause nuisance alarms. Install smoke alarms at least 10 feet away from bathrooms.
- **Do not** install Do not install smoke alarms in areas where the ambient temperature is below 14°F (-10°C) or above 131°F (55°C). Smoke alarms may not function properly at extreme temperatures.
- **Do not** install smoke alarms in very dusty or dirty areas. Installing in these areas will cause unnecessary nuisance alarms.
- **Do not** install in “dead air” spaces, such as at the top of a peak roof or in the corners between ceilings and walls. Dead air may prevent smoke from reaching your alarm.
- **Do not** install smoke alarms in insect-infested areas. Insects can enter the sensing chamber, causing unnecessary nuisance alarms.

- **Do not** install smoke alarms near LED or fluorescent lights, which emit electrical noise that may cause nuisance alarms. Install smoke alarms at least 5 feet from LED or fluorescent lights.

NFPA Requirements

The Ooma Smoke Alarm is intended for use in single-family homes and apartments. It is not designed for compliance with Occupational Safety and Health Administration (OSHA) commercial or industrial standards.

This equipment should be installed in accordance with the National Fire Protection Association's Standard 72 (National Fire Protection Association, Batterymarch Park, Quincy, MA 02269).

NFPA 72 reads as follows:

“29.5.1* Required Detection.”

“29.5.1.1* Where required by other governing laws, codes, or standards for a specific type of occupancy, approved single and multiple-station smoke alarms shall be installed as follows:

1. *In all sleeping rooms and guest rooms
2. *Outside of each separate dwelling unit sleeping area, within 21 ft (6.4 m) of any door to a sleeping room, with the distance measured along a path of travel
3. On every level of a dwelling unit, including basements
4. On every level of a residential board and care

occupancy (small facility), including basements and excluding crawl spaces and unfinished attics

5. *In the living area(s) of a guest suite
6. In the living area(s) of a residential board and care occupancy (small facility)”

Reprinted with permission from NFPA 72®, National Fire Alarm Code Copyright ©2016 National Fire Protection Association, Quincy, MA 02269. This reprinted material is not the complete and official position of the National Fire Protection Association, on the referenced subject which is represented only by the standard in its entirety. National Fire Alarm Code® and NFPA 72® are registered trademarks of the National Fire Protection Association, Inc., Quincy, MA 02269.

Ooma® Smart Security

Smoke Alarm

Guide de Démarrage Rapide



Français



Table des matières

Quoi faire en cas d'incendie	28
Caractéristiques principales.....	29
Mettre en marche votre avertisseur de fumée	31
Testez votre avertisseur de fumée	32
Installez votre avertisseur de fumée	33
Fausses alarmes	36
Nettoyage de votre avertisseur de fumée	37
Alarme et indicateur lumineux de référence sur le statut	38
Désactiver et remplacer votre détecteur de fumée	40
Avertissements et limites	43
Endroits où l'avertisseur de fumée ne doit pas être installé	46
Exigences NFPA.....	48
Avez-vous une question ou besoin d'aide?	49

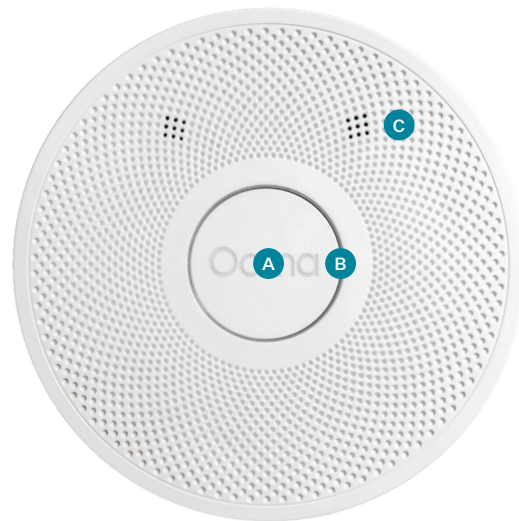
Quoi faire en cas d'incendie

- **Concevez un plan d'évacuation familial.** Sachez quelles sont les voies de sortie de votre résidence. Convenez d'un point de rencontre hors de votre résidence.
- **Ne paniquez pas.** Restez calmes.
- **Veillez à ce que chacun sorte du bâtiment aussi vite que possible.** Ne vous arrêtez pas pour ramasser quoi que ce soit.
- **Touchez les portes du revers de la main avant de les ouvrir.** Si une porte est froide, ouvrez-la doucement. N'ouvrez pas une porte chaude.
- **Gardez les portes et les fenêtres fermées** à moins que vous deviez passer par là pour vous échapper.
- **Couvrez-vous le nez et la bouche au moyen d'un linge humide.** Prenez de courtes et légères inspirations.
- **Rendez-vous** au point de rencontre et voyez si vous êtes tous là.
- **Appelez le service des incendies** dès que possible dès que vous êtes à l'extérieur du bâtiment. Donnez votre adresse suivie de votre nom.
- **Ne retournez jamais à l'intérieur d'un bâtiment en flammes,** pour quelque raison que ce soit.

Caractéristiques principales

Votre avertisseur de fumée Ooma fonctionne en tant qu'avertisseur de fumée autonome complet une fois qu'il est mis sous tension. Il est destiné à être utilisé uniquement dans des résidences unifamiliales.

- A** Bouton de test/
sourdine
- B** Anneau lumineux
indicateur de statut
- C** Ports de haut-
parleur



Il est alimenté par un bloc de deux piles au lithium-ion enchâssé dans l'appareil. Aucune installation ni remplacement de piles n'est nécessaire pour la durée de vie du détecteur.

- D** Bouton de jumelage
- E** Bouton anti-sabotage
- F** Orifice de désactivation

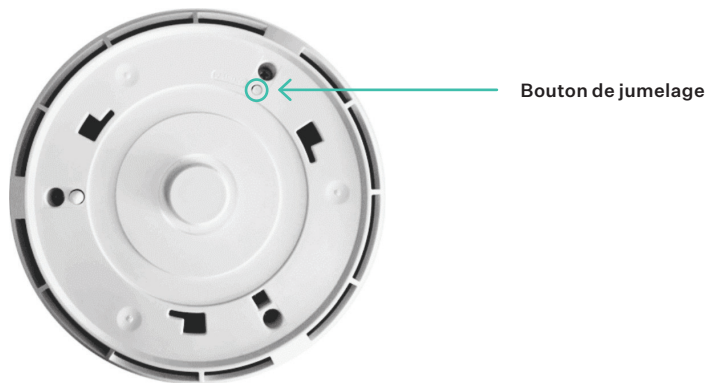


AVERTISSEMENT:
N'ESSAYEZ EN
AUCUN CAS
D'OUVRIR LE
BOÎTIER DU
DÉTECTEUR

ÉTAPE 1

Mettre en marche votre avertisseur de fumée

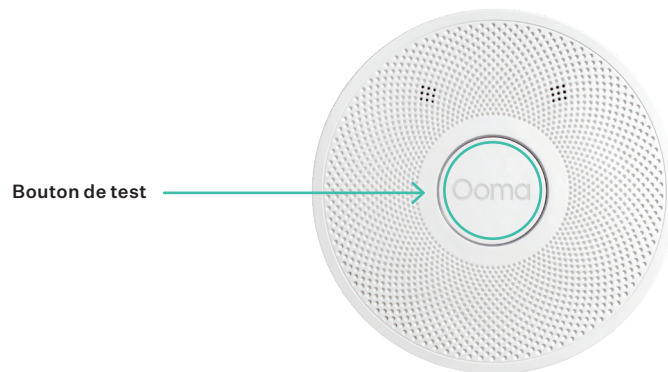
Utilisez un objet pointu comme un stylo pour appuyer promptement sur le « **bouton de jumelage** » étiqueté « **PAIRING** » (JUMELAGE). Votre avertisseur de fumée se mettra en marche et émettra trois bips. L'anneau lumineux indicateur de statut clignotera en rouge pendant l'initialisation du dispositif. Une fois que le clignotement arrête, votre avertisseur de fumée est prêt à détecter la fumée. Cette fonction est destinée à une utilisation unique.



ÉTAPE 2

Testez votre avertisseur de fumée

Appuyez et maintenez enfoncé le bouton test pendant une seconde. Il clignotera en **rouge** et émettra trois bips pour indiquer qu'il fonctionne correctement. S'il ne le fait pas, veuillez contacter notre équipe du soutien à la clientèle. La National Fire Protection Association (NFPA) recommande d'effectuer ce test sur tous les avertisseurs de fumée au moins une fois par semaine. N'utilisez jamais une flamme réelle pour tester votre avertisseur.



ÉTAPE 3

Installez votre avertisseur de fumée

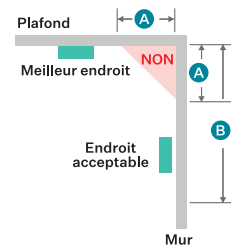
La NFPA recommande l'installation d'un avertisseur de fumée dans les zones suivantes:

- À chaque étage, incluant les combles et les sous-sols finis.
- À l'intérieur et à l'extérieur de tous les endroits réservés au sommeil.
- Au plafond de l'escalier allant du rez-de-chaussée au deuxième étage et au plafond du sous-sol près de l'entrée des escaliers.
- Dans les résidences de plus de 1 000 pieds carrés, des avertisseurs supplémentaires peuvent être exigés.

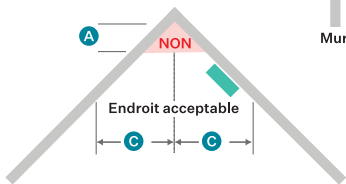


Installation au plafond ou sur un mur

Il est recommandé d'installer votre avertisseur de fumée Ooma au plafond. Assurez-vous qu'il soit installé à au moins 10 cm du mur.

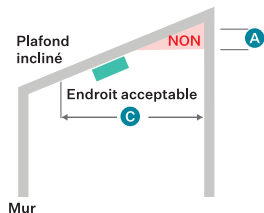


- 4 Pouces A
10 cm
- 12 Pouces B
30 cm
- 36 Pouces C
92 cm

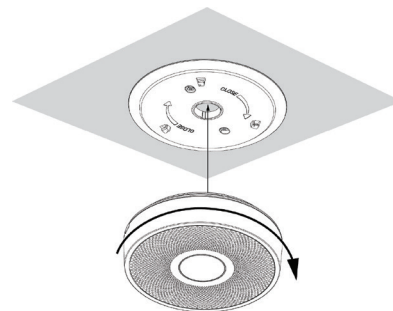
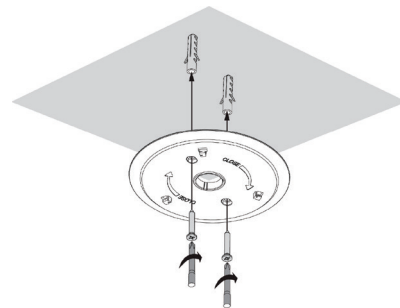


Installation sur un plafond incliné

Si vous avez un plafond incliné, pointu ou un plafond cathédrale, votre avertisseur de fumée Ooma doit être placé entre 10 cm et 90 cm du point le plus élevé.



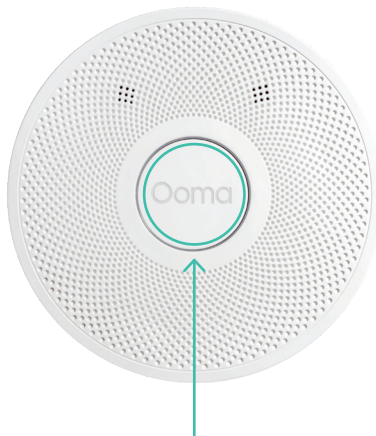
Vissez la plaque de montage au plafond ou au mur en utilisant les vis et ancrages pour cloison sèche inclus.



Puis, tenez votre avertisseur de fumée Ooma contre la plaque de montage et tournez-le dans le sens des aiguilles d'une montre pour le bloquer.

Fausses alarmes

Les fausses alarmes peuvent être provoquées par des événements tels que des vapeurs de cuisson ou des émissions d'échappement d'un véhicule. Pour arrêter une fausse alarme, appuyez sur le bouton « **sourdine** », qui est également le « **bouton de test** », sur votre avertisseur de fumée Ooma. Ceci mettra l'alarme en sourdine pour un maximum de cinq minutes. Supprimez la source de la fausse alarme et aérez l'environnement de l'avertisseur de fumée. N'essayez jamais d'éviter les fausses alarmes en désamorçant l'appareil. Si la fausse alarme persiste, nettoyez votre avertisseur de fumée Ooma comme c'est décrit dans ce guide de démarrage rapide.



Bouton de sourdine

Nettoyage de votre avertisseur de fumée

Pour vous assurer que votre avertisseur de fumée Ooma fonctionne comme il faut, nous vous recommandons de le nettoyer au moins une fois par année. Pour ce faire, enlevez-le de la base de montage en le tournant dans le sens contraire des aiguilles d'une montre. Utilisez une brosse souple pour supprimer toute poussière des ouvertures autour de l'appareil. N'utilisez jamais ni eau ni nettoyant, ou solvants pour nettoyer votre avertisseur de fumée Ooma.



Ouvertures

Alarme et indicateur lumineux de référence sur le statut

Configuration initiale et jumelage

Ce que vous entendez	Ce que vous voyez	Ce que cela signifie	Quoi faire
Trois bips	Flashes rouge (environ 20 secondes)	Initialisation de l'avertisseur de fumée	Attendre que l'initialisation soit terminée
Rien	Flashes Verts	Mode jumelage	Suivre les directives de l'application
Rien	Longue impulsion Verts pendant 3 secondes	Jumelage réussi	Processus de jumelage par l'application terminé
Rien	Flashes rouge pendant 10 secondes	Jumelage échoué	Essayer le jumelage de nouveau

Situations d'alerte

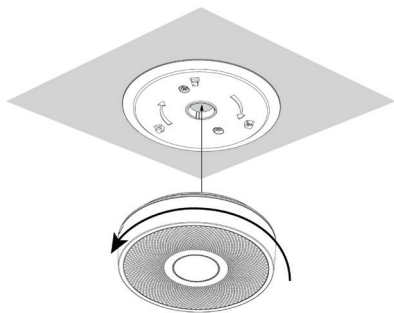
Ce que vous entendez	Ce que vous voyez	Ce que cela signifie	Quoi faire
Trois bips, pause, se répétant sans interruption	Flashes rouge	Fumée détectée	Évacuer les lieux immédiatement. S'il s'agit d'une fausse alarme, la résoudre
Rien	Flashes rouge	Alarme étouffée	Régler la source de la fausse alarme

Test et entretien

Ce que vous entendez	Ce que vous voyez	Ce que cela signifie	Quoi faire
Un bip (20ms) à chaque minute	Signal lumineux rouge à chaque minute	Pile faible/ Fin de vie	Remplacer l'avertisseur de fumée immédiatement
Trois bips	Un flashs rouge	Test réussi	Aucune action requise
Un bip	Un flashs rouge	Test échoué	Contactez le service de soutien de Ooma
Un bip (200ms) à chaque minute	Signal lumineux rouge à chaque minute	Signal de dérangement	Contactez le service de soutien de Ooma

Désactiver et remplacer votre détecteur de fumée

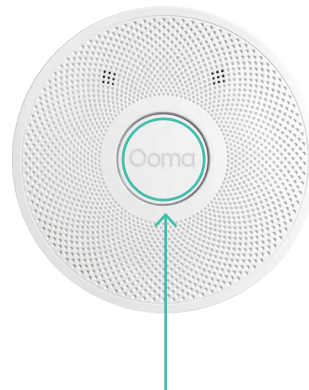
Ce détecteur a une durée de vie prévue de 10 ans. Quand il devra être remplacé, le dispositif de contrôle des piles qu'il renferme fera en sorte que l'appareil émette un « bip » une fois par minute pendant au moins trente (30) jours. Le cas échéant, vous devriez acheter et installer sans tarder un autre détecteur de fumée Ooma afin que votre maison reste en sécurité. Pour désarmer l'appareil définitivement, suivez ces indications :



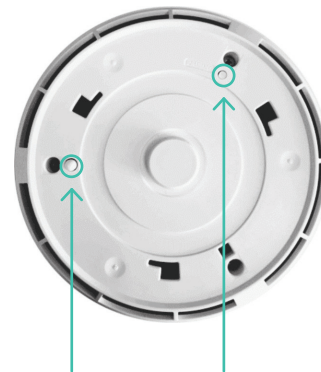
Faites tourner l'appareil dans le sens antihoraire pour le dégager du support de fixation.

AVERTISSEMENT: N'ESSEYER EN AUCUN CAS D'OUVRIR LE BOÎTIER DU DÉTECTEUR. UNE FOIS DÉARMÉ, LE DÉTECTEUR NE PEUT PAS ÊTRE RÉARMÉ.

Pour désarmer le détecteur, appuyez simultanément sur les boutons de **jumelage**, **d'essai** et **d'anti-sabotage**. Une fois dans ce mode, l'appareil ne fonctionnera plus.



Bouton de sourdine

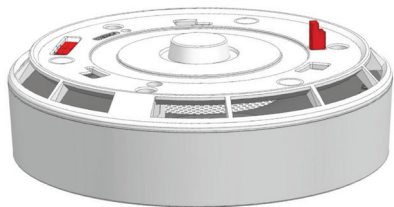


Bouton anti-sabotage

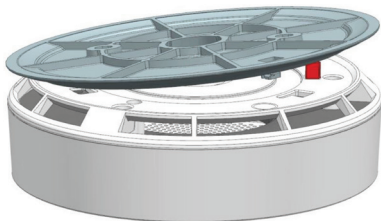
Bouton de jumelage

Servez-vous d'un outil tel un tournevis pour retirer la tige **rouge** et enfoncez-la dans l'orifice carré. Une fois en place, la tige **rouge** empêchera la réinstallation de l'appareil sur le support de fixation.

1 Retirez la tige



2 Enfoncer la tige dans l'orifice carré



Avertissements et limites

Les avertisseurs de fumée fonctionnent parfaitement uniquement s'ils sont installés et entretenus comme il se doit, et si la fumée atteint l'appareil. Les mises en garde et indications ci-dessous aident à éviter les fausses alarmes et les faux signaux de dérangement :

- Cet avertisseur de fumée ne fonctionnera pas s'il n'a pas été mis sous tension. Pour le mettre sous tension, suivez les directives de configuration dans ce guide de démarrage rapide.
- Cet avertisseur de fumée utilise la technologie de détection photoélectrique pour détecter la fumée dans un environnement résidentiel. La détection photo-électrique est généralement plus sensible que la technologie d'ionisation pour la détection de grandes particules, qui sont en général produites par des incendies à évolution lente. Les sources de grandes particules comprennent les cigarettes qui brûlent dans un divan ou un lit.
- Il est également recommandé d'acheter et d'installer des avertisseurs de fumée à ionisation qui sont plus sensibles aux petites particules provenant de feux à flammes vives. Les sources de petites particules comprennent la combustion de papier ou de graisse dans la cuisine.

- **AVIS :** La norme de la National Fire Protection Association exige que les piles de détecteur de fumée durent au moins 10 ans et soient non remplaçables et inamovibles. Nos piles sont certifiées par les autorités compétentes pour répondre à ces exigences sur une base autonome. Cependant, si vous jumelez un détecteur de fumée Ooma à une unité de base Ooma Telo, la pile pourrait ne pas durer 10 ans. Pour maximiser la durée de vie de la pile, assurez-vous que le détecteur de fumée est correctement connecté de façon ininterrompue à l'unité de base Ooma Telo. Il vous incombe de maintenir l'équipement en bon état de marche, comme indiqué ailleurs dans le présent document.
- Les avertisseurs de fumée ne sont pas infaillibles et ne peuvent ni prévenir ni éteindre les feux.
- Cet avertisseur de fumée peut ne pas être entendu si les occupants souffrent d'une déficience ou si l'alarme est étouffée par le bruit ambiant. Des avertisseurs de fumée spéciaux doivent être installés pour les résidents malentendants.
- Cet avertisseur de fumée ne fonctionnera pas si son environnement empêche les particules de fumée d'atteindre le détecteur.
- Ne restez pas à proximité de l'avertisseur de fumée lorsqu'il sonne. Une exposition prolongée à l'alarme pourrait être préjudiciable pour l'ouïe.
- N'appliquez pas de peinture sur votre avertisseur de fumée, car cela

pourrait empêcher les particules de fumée d'atteindre le détecteur.

- Le détecteur de fumée peut ne pas fonctionner dans une situation où les flammes sont en contact avec la victime, p. ex. si ses vêtements prennent feu alors qu'elle cuisine.
- Le détecteur de fumée peut ne pas fonctionner dans une situation d'incendie où un obstacle (porte fermée ou autre) empêche la fumée d'atteindre le détecteur.
- Le détecteur de fumée peut être inefficace dans le cas d'un feu de cause incendiaire qui se propage si rapidement que la sortie de l'occupant est bloquée, malgré la présence de détecteurs aux bons endroits.
- On ne doit pas installer ce détecteur de fumée dans un endroit où la température ambiante normale est inférieure à 40 oF (4,4 oC) ou supérieure à 100 oF (37,8 oC), sauf s'il a été déterminé qu'on pouvait l'utiliser en des points d'installation où les températures ambiantes sont inférieures ou supérieures.
- Les études montrent que les détecteurs de fumée ne réveillent pas toujours toutes les personnes présentes. Il revient aux occupants de la maison qui sont aptes à porter secours d'aider ceux qui risquent de ne pas être réveillés par l'alarme ou d'être incapables de quitter les lieux sans assistance.
- En cas de défaillance d'une de ses composantes essentielles, ce détecteur émettra un avertissement de mauvais fonctionnement.

Endroits où l'avertisseur de fumée ne doit pas être installé

- N'installez pas des avertisseurs de fumée dans les endroits où des particules de combustion sont produites, comme les cuisines ou les garages. L'installation dans ces endroits provoquera de fausses alarmes inutiles. Si possible, installez un avertisseur de fumée à au moins 20 pieds d'une source de particules de combustion.
- N'installez pas les avertisseurs de fumée dans le passage de courants d'air. L'installation dans un tel endroit réduira l'efficacité de votre avertisseur.
- N'installez pas d'avertisseurs de fumée dans des endroits mouillés ou très humides, comme des salles de bains ou des douches. L'humidité présente dans l'air peut pénétrer dans la cellule sensible du détecteur, ce qui peut provoquer de fausses alarmes. Installez les avertisseurs de fumée à au moins 10 pieds des salles de bains.
- N'installez pas de détecteurs de fumée dans des zones où la température ambiante est inférieure à -10 °C (14 °F) ou supérieure à 55 °C (131 °F). Les détecteurs de fumée peuvent ne pas correctement fonctionner à des températures extrêmes.
- N'installez pas d'avertisseurs de fumée dans des endroits très poussiéreux ou sales. L'installation dans ces endroits déclenchera de fausses alarmes inutiles.
- N'installez pas l'avertisseur de fumée dans des endroits où l'air est immobile, comme au sommet d'un toit pointu ou dans les coins entre les plafonds et les murs. L'air immobile peut empêcher la fumée d'atteindre votre avertisseur.
- N'installez pas d'avertisseurs de fumée dans des endroits infestés par des insectes. Les insectes peuvent pénétrer dans la cellule sensible du détecteur, ce qui peut provoquer de fausses alarmes inutiles.
- N'installez pas le détecteur de fumée à proximité de lumières au DEL ou de lampes fluorescentes qui émettent du bruit électrique pouvant provoquer de fausses alarmes. Installez les détecteurs de fumée à au moins 1,5 m (5 pi) de toute lumière au DEL ou de lampe fluorescente.

Exigences NFPA

L'avertisseur de fumée Ooma est destiné à une utilisation dans les résidences unifamiliales ou les appartements. Il n'est pas conçu conformément aux normes commerciales ou industrielles de l'organisme Occupational Safety and Health Administration (OSHA).

Cet équipement doit être installé conformément à la norme 72 de la National Fire Protection Association (National Fire Protection Association, Batterymarch Park, Quincy, MA 02269).

La NFPA 72 se lit comme suit :

« 29.5.1* Détection requise. »

« 29.5.1.1* Là où c'est exigé en vertu d'autres lois, codes ou normes concernant un type particulier d'occupation, les avertisseurs de fumée simples ou à multiples postes doivent être installés de la manière suivante :

1. Dans toutes les chambres et pièces pour invités
2. À l'extérieur de chacune des zones de repos d'un logement, dans une distance de 21 pieds (6,4 m) de toute porte d'une chambre, distance mesurée le long d'une voie de circulation
3. À tous les étages d'un logement, y compris les sous-sols
4. À tous les étages d'un foyer résidentiel ou d'un établissement de soins (petit établissement), y compris les sous-sols et excepté les vides sanitaires et les greniers non finis

5. Dans les espaces habitables d'une chambre d'hôte

6. Dans les espaces habitables d'un foyer résidentiel ou d'un établissement de soins (petit établissement) »

Reproduit avec l'autorisation de la NFPA 72®, National Fire Alarm Code Copyright ©2016 National Fire Protection Association, Quincy, MA 02269. Le présent matériel reproduit ne constitue pas la position officielle et complète de la National Fire Protection Association sur le sujet auquel il est fait référence, laquelle est représentée uniquement par la norme dans son intégralité. National Fire Alarm Code® et NFPA 72® sont des marques déposées de la National Fire Protection Association, Inc., Quincy, MA 02269. which is represented only by the standard in its entirety. National Fire Alarm Code® and NFPA 72® are registered trademarks of the National Fire Protection Association, Inc., Quincy, MA 02269.

Avez-vous une question ou besoin d'aide?

Voici où vous pouvez trouver de l'aide :

Base de connaissances : support.ooma.com/home/home-security

Forum de discussion : forums.ooma.com

Service clientèle : 1-877-629-1284



Cet appareil est conforme à toutes les normes suivantes s'appliquant aux avertisseurs de fumée :

UL 217 – « Avertisseurs de fumée simples et multipostes »

CAN-ULC-S531-02 – « Norme sur les avertisseurs de fumée »

P/N: 700-0177-202